

SL. NO	NAME OF THE PARTS	QTY.
1	TOP PANEL	1
2	BOTTOM PANEL	1
3	SHOE RACK PANEL	2
4	BACK PANEL	2
5	DOOR PANEL	2
6	BACK CONNECTOR	-NA-
7	SIDE CONNECTOR(LH/RH)	-NA-
8	TOP & BOTTOM SEAL	2
9	PANEL STRIP	2
10	METAL PIPE(DIA 15MM)	12
11	DOOR CONNECTOR WITH HANDLE	2
12	HOLE PLUG	1 PACKET
	TOTAL PARTS	26

**NOTE:**  
ENSURE LOCKING BETWEEN THE ASSEMBLED PARTS

## COLOR

Red  
Blue

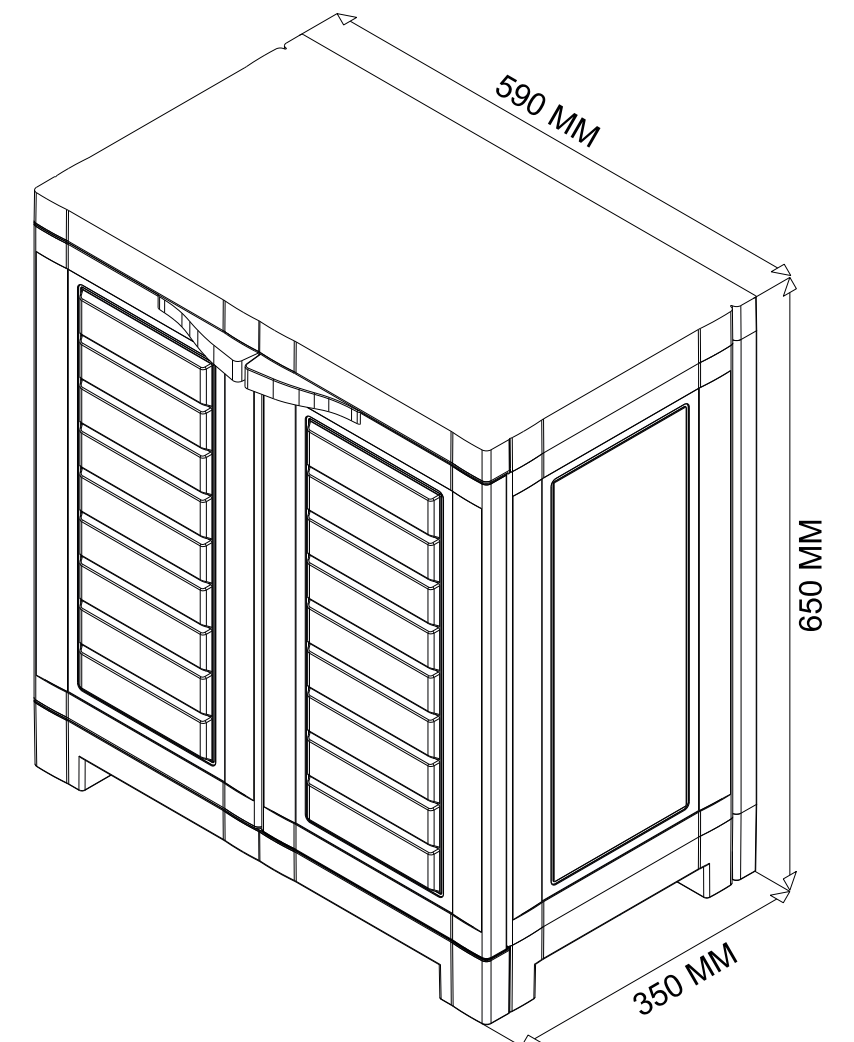
Coffee  
Beige

Manufactured By

**ITALICA**  
**PIL ITALICA LIFESTYLE LIMITED**  
(An ISO 9001 : 2015 Certified Company)

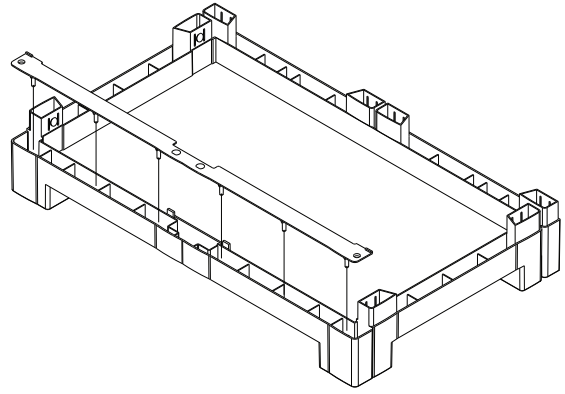
Kodiyat Road, Sisarma, Udaipur - 313031 (Raj.) India.  
Customer Care : + 91 93 144 11101  
Email : [customercare@italica.com](mailto:customercare@italica.com) • Web : [www.italica.com](http://www.italica.com)  
f Italica    Italica    +91 93 144 11101

**ITALICA**®  
**SR-6104**



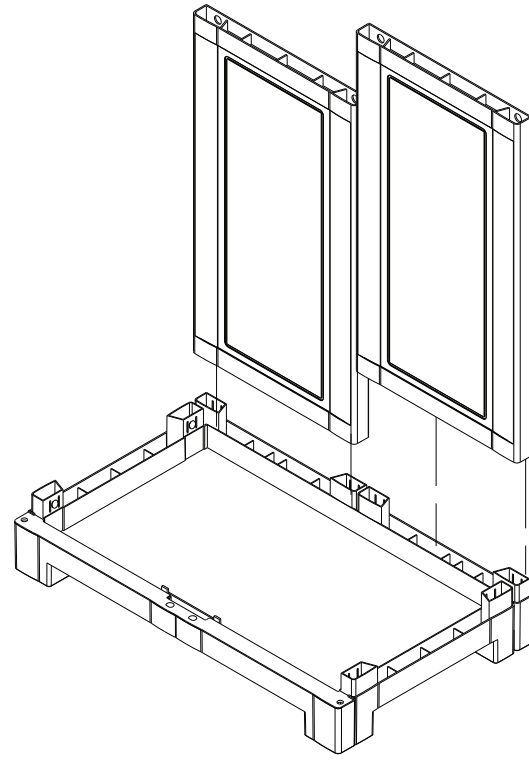
1

FIX THE TOP & BOTTOM SEAL TO THE BOTTOM PANEL



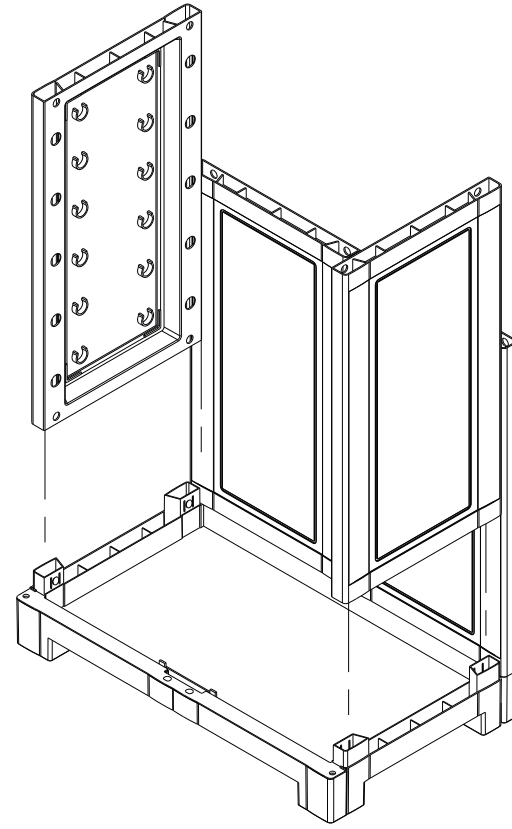
2

FIX BACK PANEL TO THE BOTTOM PANEL



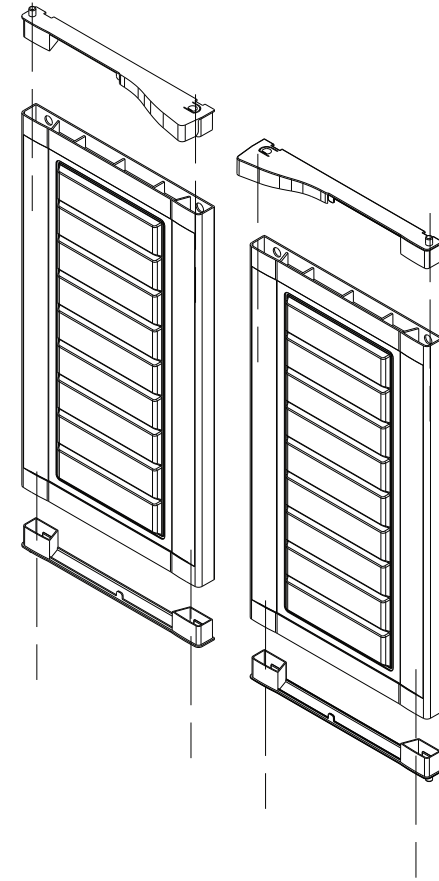
3

FIX THE SIDE PANEL TO THE BOTTOM PANEL



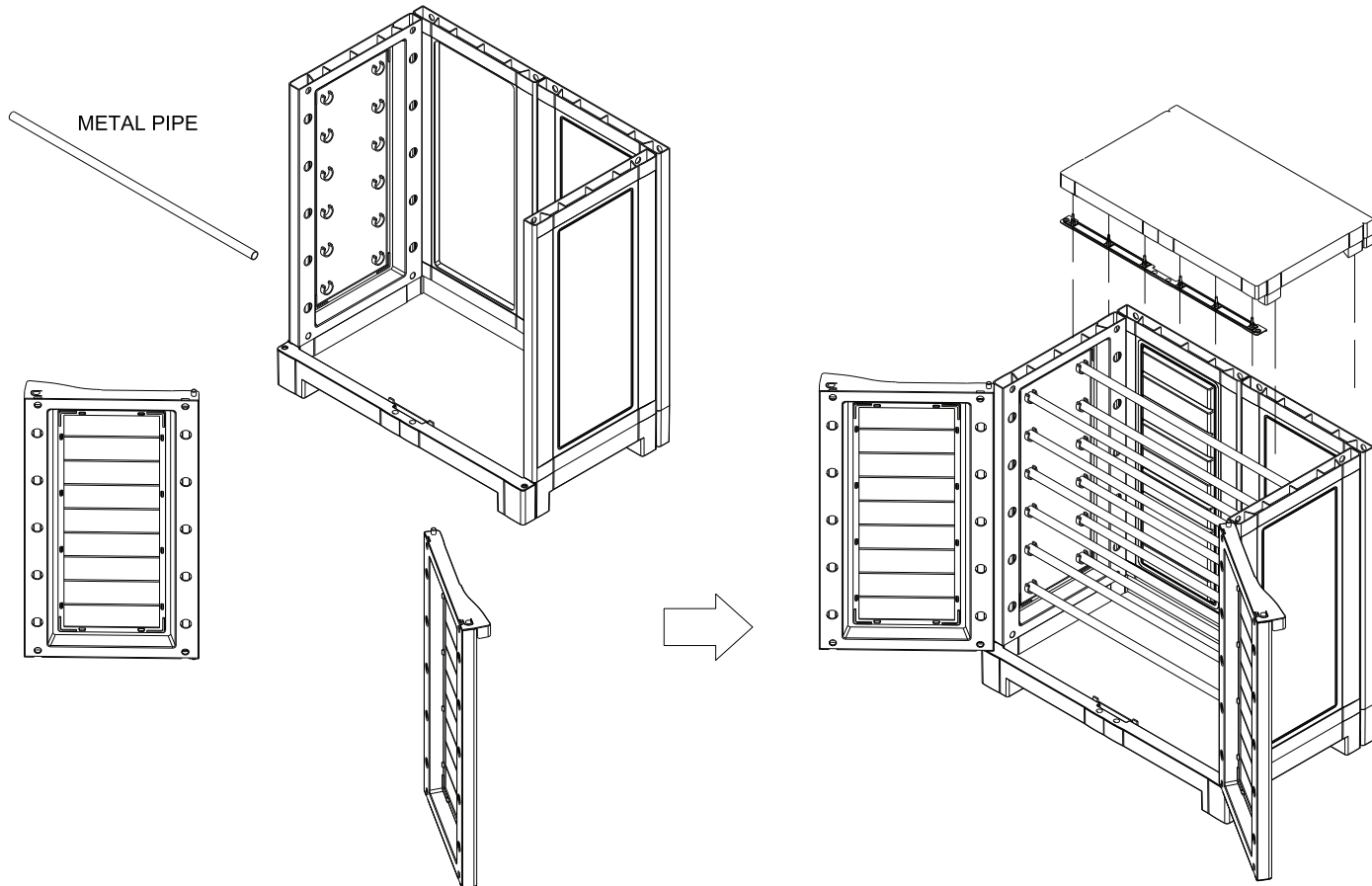
4

ASSEMBLY BOTH THE DOOR PANEL WITH DOOR CONNECTORS AND PANEL STRIP



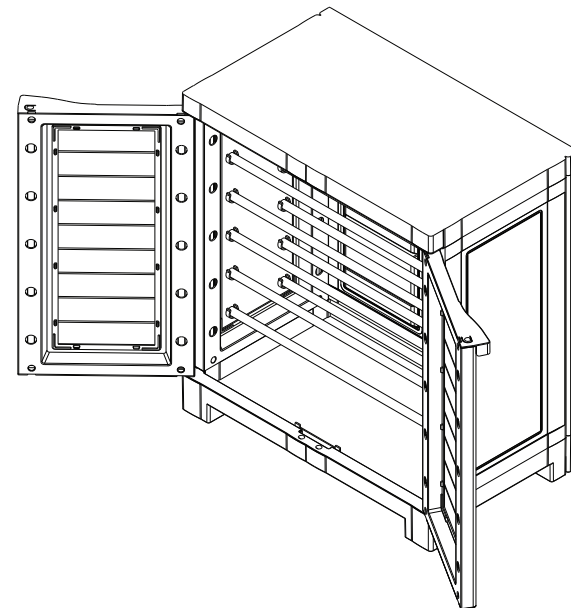
5

FIT DOOR ASSEMBY BY LOCATING PIVOT IN HOLE OF TOP & BOTTOM TO LOCK IT ON PIVOT OF SIDE CONNECTORS. NOW FIX THE TOP AND LOCK INSERT METAL PIPE TO THE SHOW RACK PANEL



6

LOCK TOP PANEL FOR FINAL ASSEMBLY



7

NOW THE CABINET IS READY TO USE

